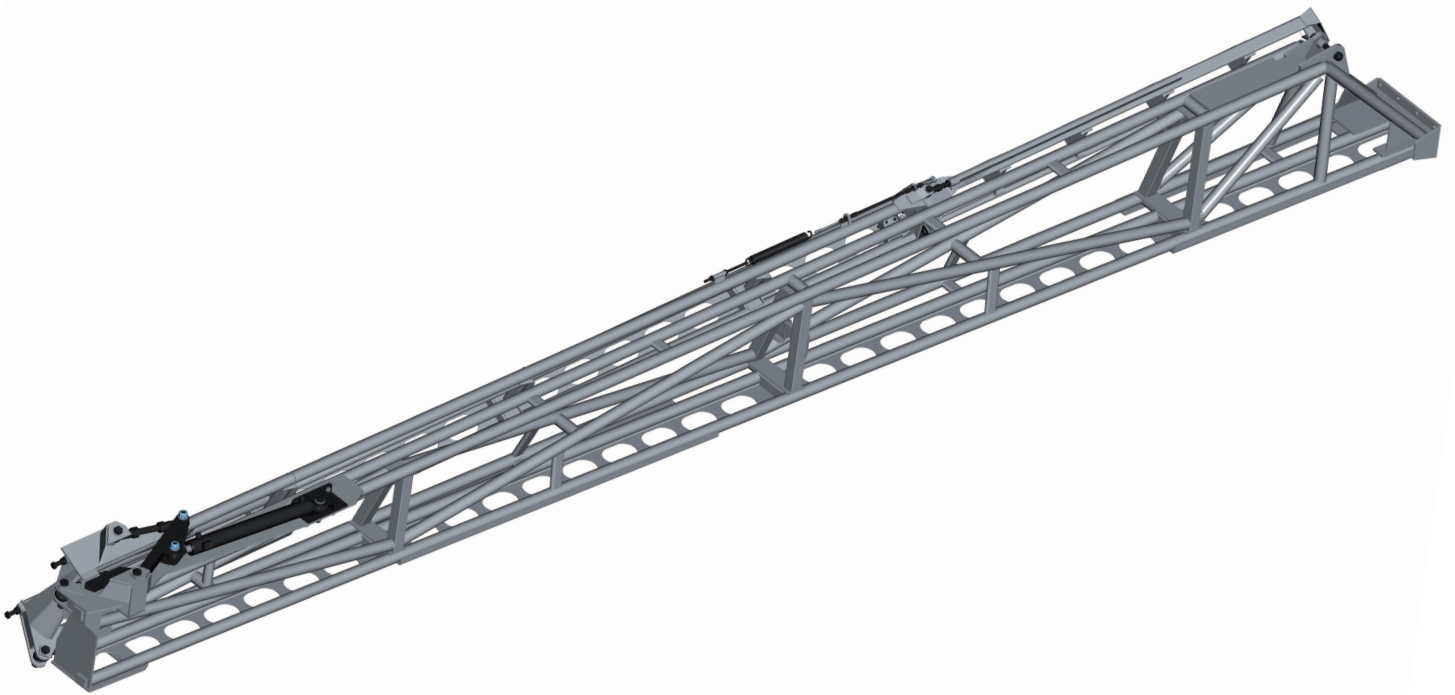


Adjustment and maintenance instructions

TR5 boom



POMMIER

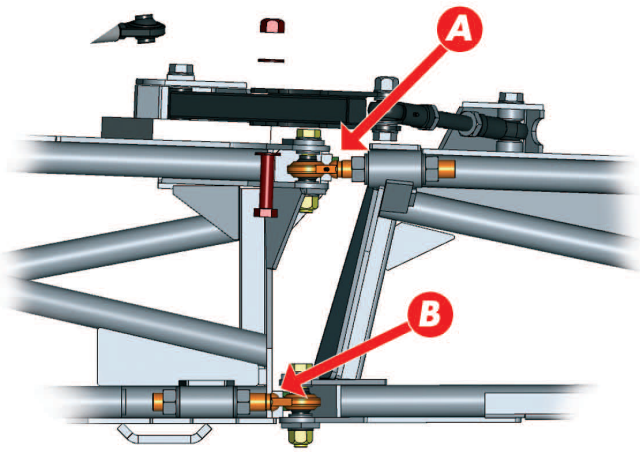
www.pommier-scebp.com

TR5 boom adjustments

Before adjusting the boom, tighten all the bolts at the linkage points.

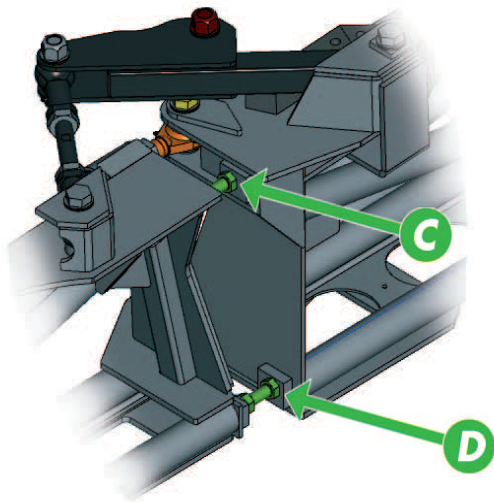
Use a wrench with a tube to tighten the bolts to maximum.

1/ Unfold the boom and remove the bolt at the cylinder rod end.



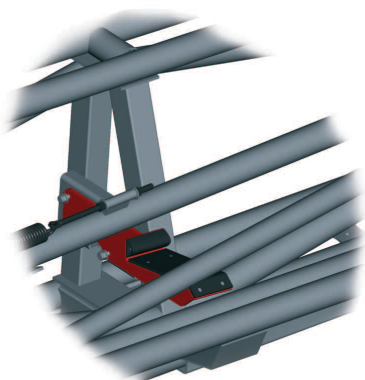
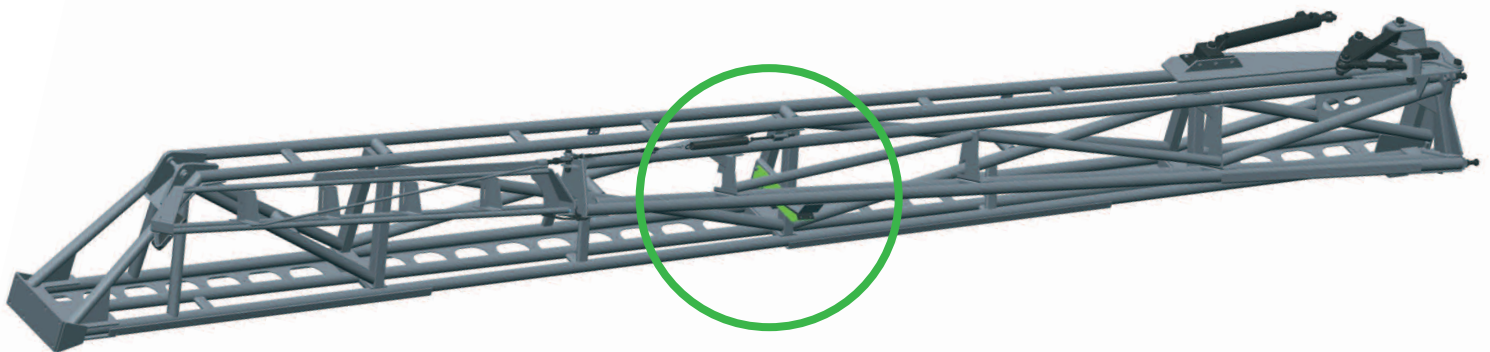
2/ Check if inner and outer sections are perfectly horizontal.
If not, screw or unscrew the two ball joints **A** and **B**.

Tighten the ball joint nuts very slightly once the boom is perfectly horizontal.

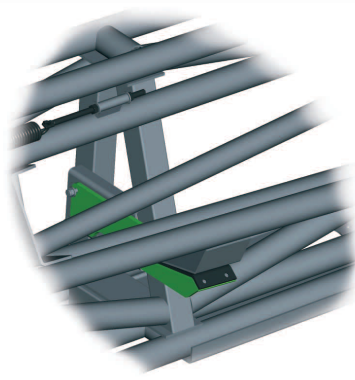


At the same time, pre-adjust the two stops **C** and **D** between inner and outer sections so that the boom is well straight.

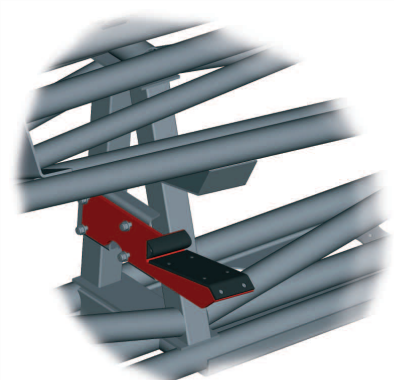
3/ Fold the boom by hand so that the outer section gently rests in its bracket on the inner section.



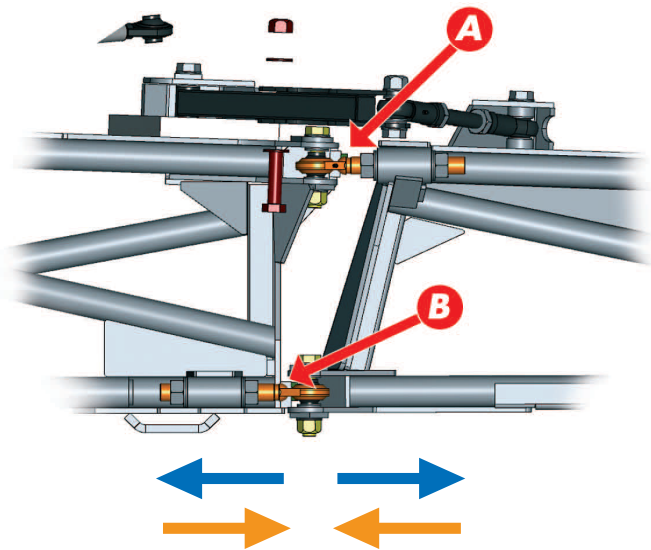
Adjustment too low



Correct adjustment



Adjustment too high



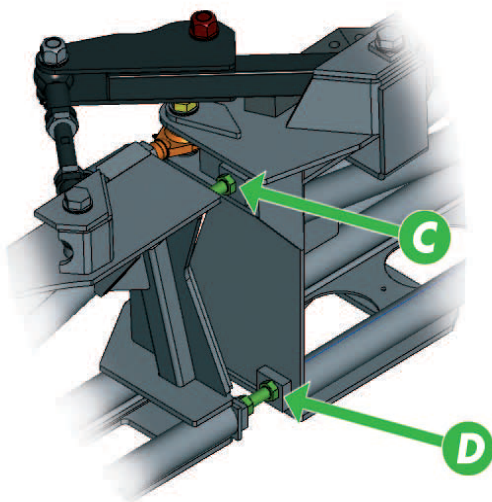
4/ If the outer section is too high, unfold the boom again and without disturbing the horizontal setting, adjust the two ball joints **A** and **B**.

You must move away the outer section from the inner section.

On the other hand, if in folded position, the outer section is too low, you have to bring the outer section closer to the inner section.

When the outer section sits correctly on its bracket, tighten the ball joint nuts. To ensure a proper tightening, we recommend to use a tube as an extension at the end of the wrench.

Check again the alignment of the boom by refining the adjustment of stops **C** and **D**.



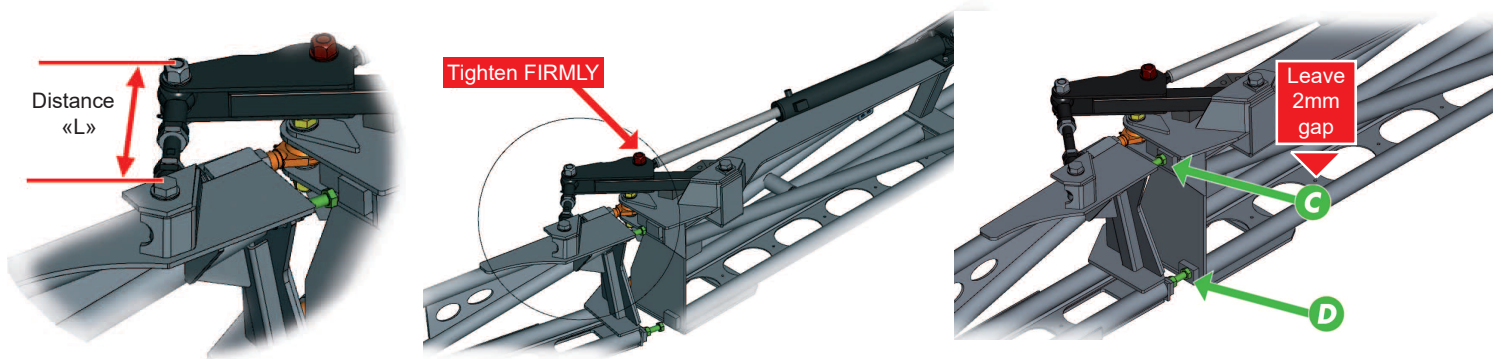
VERY IMPORTANT

- Stop D must be in contact
- There must be a 2mm gap between stop C and the aluminum

5/ Re-attach the cylinder rod to the hinge arm and tighten strongly the bolt.

6/ Reduce the distance «L» as much as possible on the double ball joint. Hydraulically, fully extend the cylinder and then increase the distance «L» until stop **D** is in contact.

When stop **D** is in contact, stop **C** should be at 2mm of touching the aluminum.



7/ Continue to increase the distance «L» of the double ball joint until stop C comes in contact.

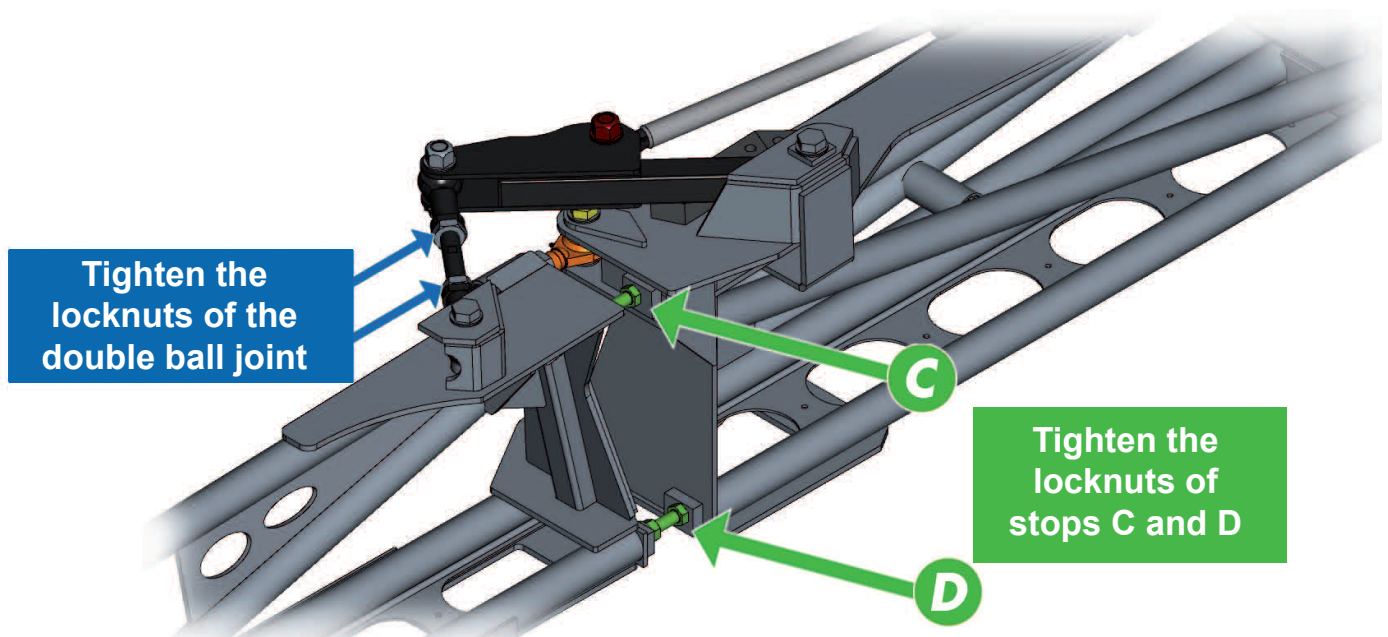
8/ Continue to unscrew the double ball joint until a slight buckling is visible on the cylinder rod. (The buckling corresponds approximately to 2 to 3mm of additional stroke on the rod).

Caution! During this operation, verify that the cylinder is fully extended so when you unscrew the double ball joint, this is not the cylinder that retracts.

9/ Check again that the boom is still well aligned with the cylinder under hydraulic pressure because it could maladjust slightly the boom.

Repeat step 6 if you need to readjust stops C and D.

When the boom is perfectly straight, tighten strongly the locknuts of stops C and D as well as those of the double ball joint.



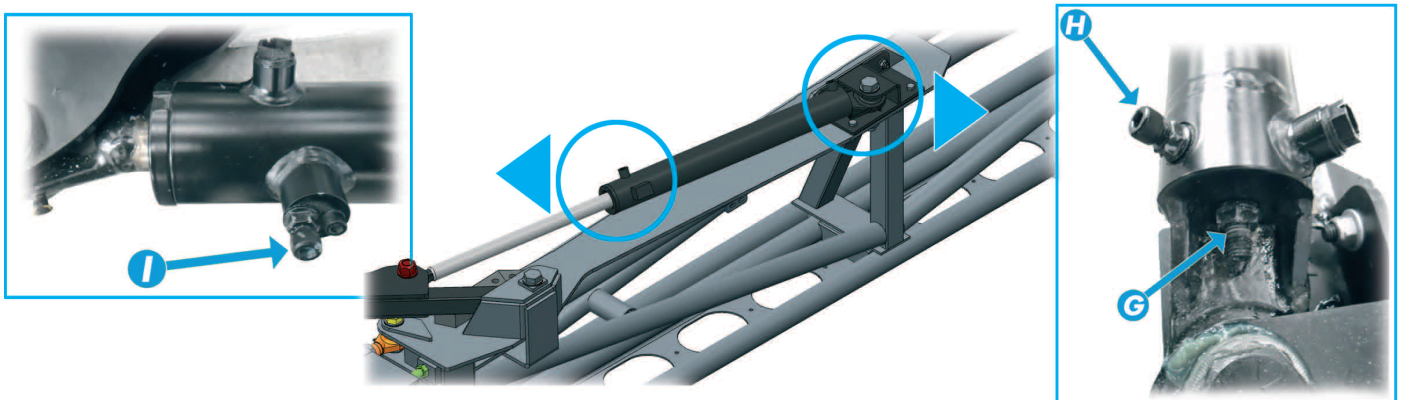
10/ Adjustment of the hydraulic soft closures:

Screw **H** adjusts the hydraulic soft closure for folding the boom; screw **I** adjusts the hydraulic soft closure for unfolding the boom.

Unfold the boom approximately halfway, then loosen the locknut and tighten screw **H** completely but do not force. Fold the boom completely.

The boom will suddenly stop at the point where the soft closure takes effect. Now loosen screw **H** to control and adjust the hydraulic soft closure. The boom must not smash into its bracket but close gently on it.

As the setting is very sensitive, proceed slowly by rotating the screw of one tenth of a turn at a time. It is better to make the adjustment when the oil is warm. Once the adjustment is complete, hold firmly screw **H** and tighten the locknut. You can now adjust screw **I** for the soft closure in opening by repeating the same operations.



11/ (only applicable to the booms equipped with a folding cylinder having a grub screw and a locknut on the location as shown on the picture).

Remove the hydraulic hoses and unscrew screw **G**. Fold the boom manually until the outer section is in its bracket on the inner section.

Tighten screw **G** until you feel resistance. This means the screw is pushing against the cylinder rod. When the screw is in contact with the rod, unscrew it by approximately 2 to 3 mm, then tighten the locknut. Screw **G** adjusts the retraction stroke of the cylinder rod.

Cleaning the aluminum boom

-Clean the boom once a year with a suitable product as «SUPER NET ALU».

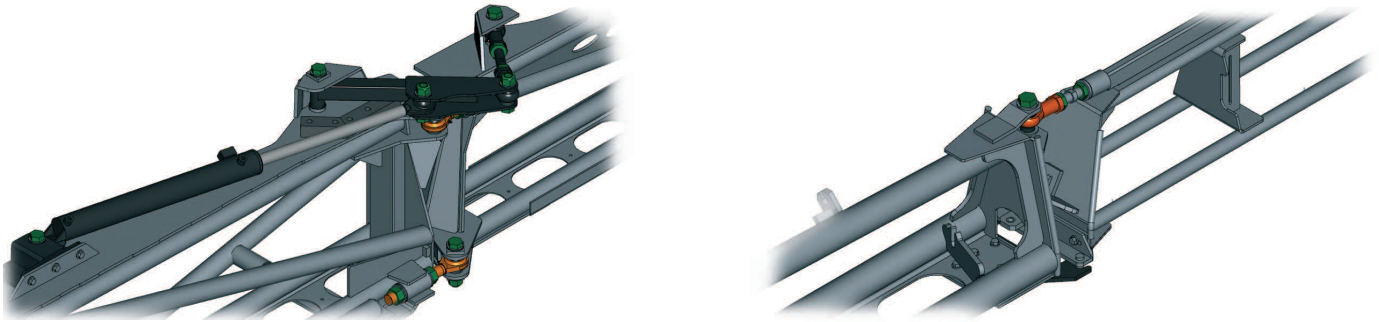


Maintenance & care of your aluminum boom

Weekly checks

Bolts and nuts check

-Check that all the bolts and nuts are correctly tightened or if necessary tighten them with suitable tools (**wrench with 1 meter long extension tube**).



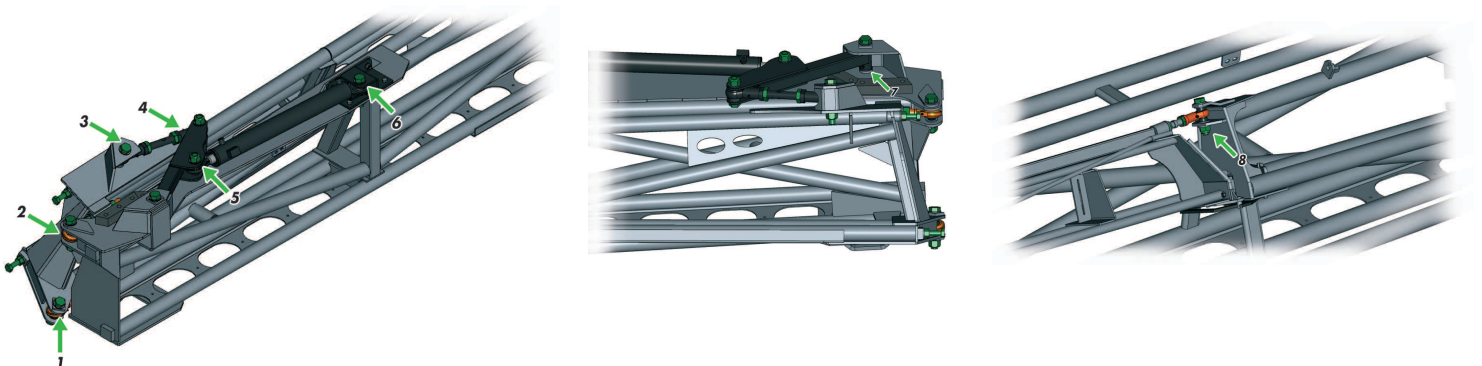
Spring

-Check the breakaway spring tension. The tension of the spring is its zero state plus **100mm (4 inches)**.

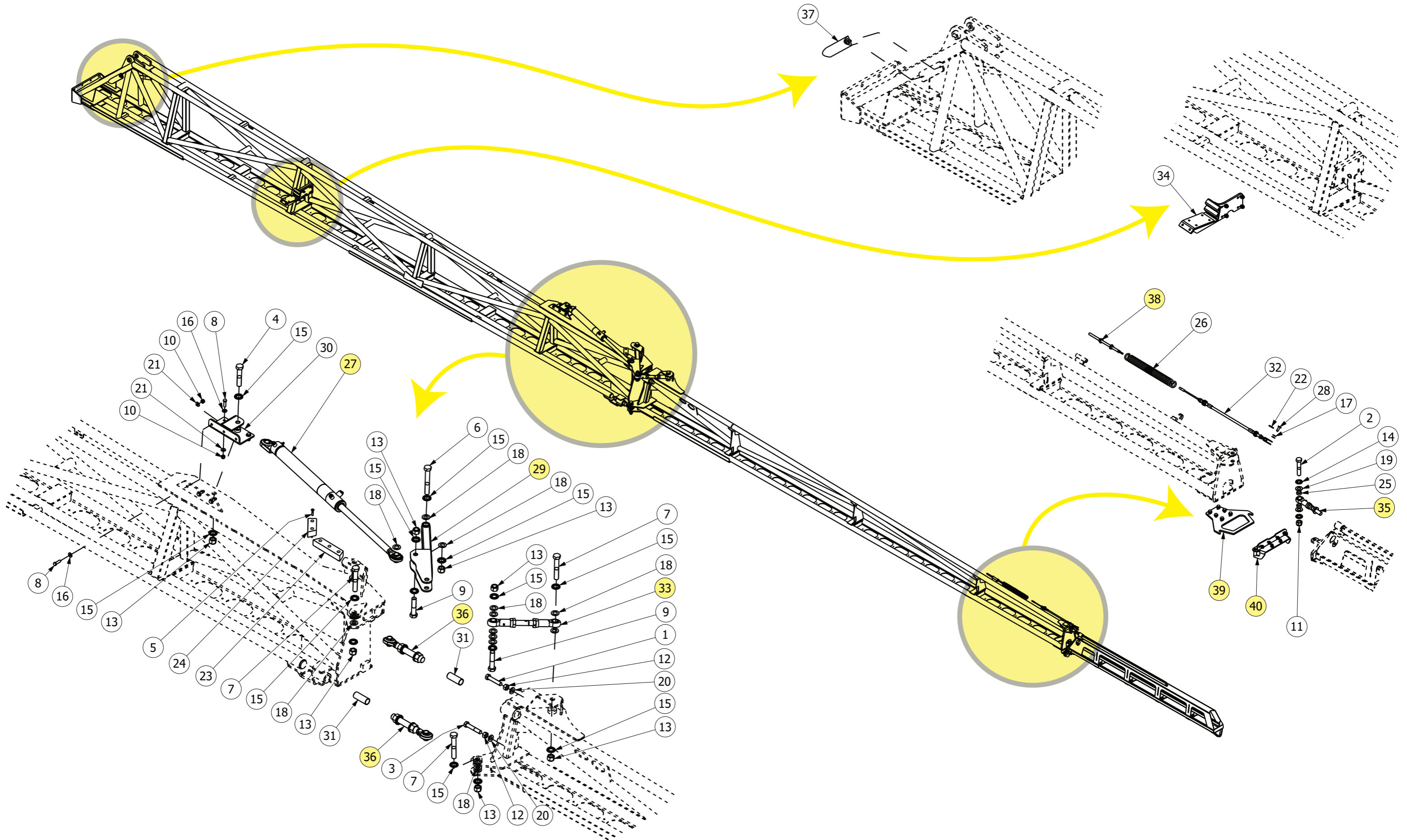


Lubrication

-Lubrication of all linkage points as well as all ball joints and pin joints. (**8 grease fittings along the boom**).

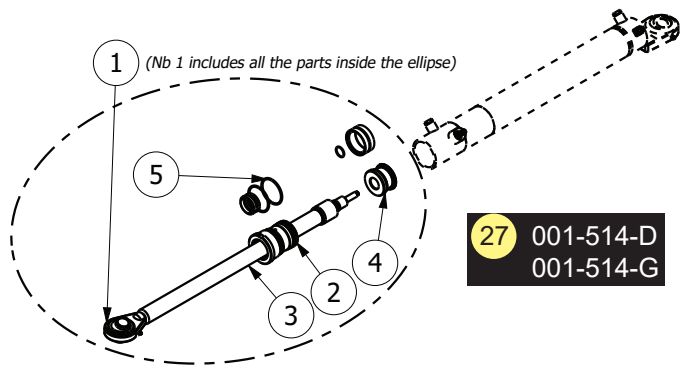


Standard TR5 boom nomenclature



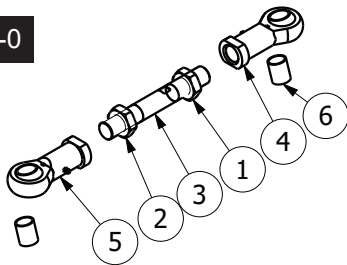
Standard TR5 boom nomenclature

Nb	Reference	Qty	Description
1	000-015-0	1	HH screw M20x100 DIN933 Deltaprotekt
2	000-016-0	1	HH screw M20x100 DIN931 Deltaprotekt
3	000-017-0	1	HH screw M20x110 DIN931 Deltaprotekt
4	000-024-0	1	HH screw M1"x5" DIN931 Deltaprotekt
5	000-038-0	5	Socket flat head screw M8x25 DIN933 Deltaprotekt
6	000-193-0	1	HH screw M1"x7" DIN931 Deltaprotekt
7	000-232-0	3	HH screw M1"x6" DIN931 Deltaprotekt
8	000-257-0	5	HH screw M12x40 DIN933 Deltaprotekt
9	000-363-0	2	HH screw M1"x4 1/2" DIN931 Deltaprotekt
10	000-484-0	5	Lock nut M12 stainless
11	000-486-0	1	Lock nut M20 stainless
12	000-555-0	2	Hex nut M20 Deltaprotekt
13	000-641-0	7	Lock nut 1" stainless
14	000-700-0	2	Self-locking washer Ø20 large
15	000-702-0	14	Self-locking washer Ø1" large
16	000-795-0	5	Flat washer Ø12 Deltaprotekt
17	000-796-0	2	Flat washer Ø10 Deltaprotekt
18	000-813-0	16	Flat washer Ø26 Deltaprotekt
19	000-819-0	2	Flat washer Ø20 Deltaprotekt
20	000-831-0	2	Contact washer Ø20
21	000-837-0	5	Contact washer Ø12
22	000-865-0	1	Cotter pin Ø3.2x40 stainless
23	001-029-0	1	Hinge arm plastic support 178/220x50x40 drilled
24	001-031-G	1	Left hinge arm plastic support 115/135x50x40 drilled
25	001-231-0	2	Bushing Øext28/Øint20 thk 9.5 Deltatone
26	001-284-0	1	Steel traction spring wire Ø7 Øext42 lg 350mm
27	001-514-D	1	Cylinder Ø63/36 S500 right painted
28	001-732-0	1	Ø10mm stainless shaft for breakaway cable
29	001-795-D	1	Right hinge arm with bushing
30	002-513-D	1	TR5/RA folding cylinder right fastening
31	002-614-0	2	Round tube Ø38 thk 2 lgth 98mm
32	003-187-0	1	Cable + reinforced sheath for breakaway
33	010-007-0	1	Double ball joint with bushings Øint 26 and threaded rod lgth 220mm
34	010-013-D	1	TR5/RA right outer section support + hardware
35	010-017-0	1	Ball joint Ø20 with threaded rod M20 lgth 125mm
36	010-026-0	2	Ball joint Ø25 threaded rod M34 + screws
37	010-027-0	1	Triangular rubber lg 200mm + screws
38	010-090-0	1	Complete breakaway spring hook
39	010-096-0	1	TR5 breakaway hinge plate + screws
40	010-303-0	1	TR5/RA breakaway reinforced hinge angle + screws



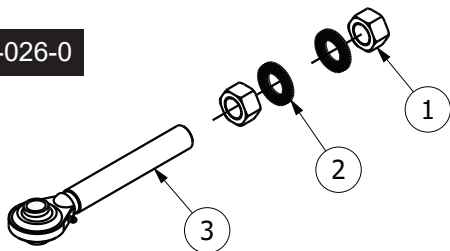
Nb	Reference	Qty	Description
1	002-169-0	1	Complete Ø63/36 S500 cylinder rod with head + seals
2	001-578-0	1	Cylinder head DA 63/36
3	001-588-0	1	Cylinder rod Ø63/36 S500 (001-514)
4	002-584-0	1	Piston DA 63/36
5	001-555-0	1	Cylinder seals kit DA 63/36

33 010-007-0



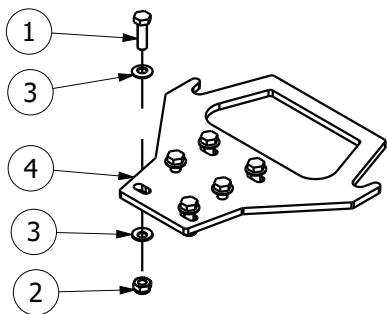
Nb	Reference	Qty	Description
1	000-514-0	1	Low hex nut M24 200 right pitch
2	000-515-0	1	Low hex nut M24 200 right pitch
3	001-007-0	1	Threaded rod RH/LH M30 pitch 200 lg 220
4	001-602-D	1	Female Ball joint Ø30 Right threaded
5	001-602-G	1	Female Ball joint Ø30 left threaded
6	001-933-0	2	Steel bushing Ø30 x Ø26 x30.6

36 010-026-0



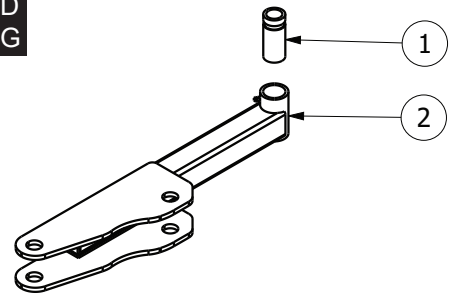
Nb	Reference	Qty	Description
1	000-596-0	2	Hex nut M34 pitch 200 Deltaprotekt
2	000-704-0	2	Self-locking washer Ø33 large
3	002-092-0	1	Ball joint Ø25 + threaded rod M34 lg 210mm

39 010-096-0



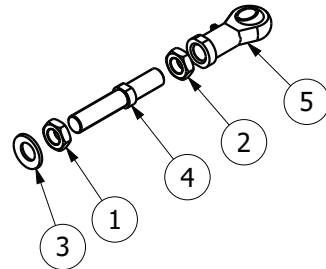
Nb	Reference	Qty	Description
1	000-197-0	6	HH screw M10x35 DIN933 Deltaprotekt
2	000-539-0	6	Lock nut M10 stainless
3	000-838-0	12	Contact washer Ø10
4	002-002-0	1	TR5 breakaway hinge plate

**29 001-795-D
001-795-G**



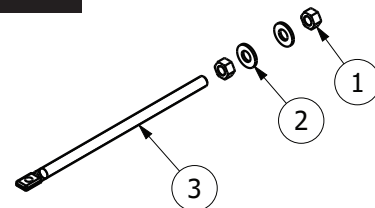
Nb	Reference	Qty	Description
1	001-799-0	1	Bushing Øext35 thk5mm lgth 82mm
2	002-773-D	1	Right hinge arm without bushing

35 010-017-0



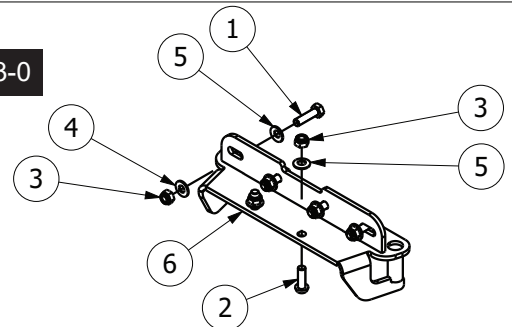
Nb	Reference	Qty	Description
1	000-510-0	1	Low hex nut M24 200 right pitch
2	000-512-0	1	Low hex nut M24 200 right pitch
3	000-831-0	1	Contact washer Ø20
4	001-004-0	1	Threaded rod LH M20x150 / RH M20x250 lg 125 Deltatone
5	001-601-G	1	Female ball joint Ø20mm left thread

38 010-090-0



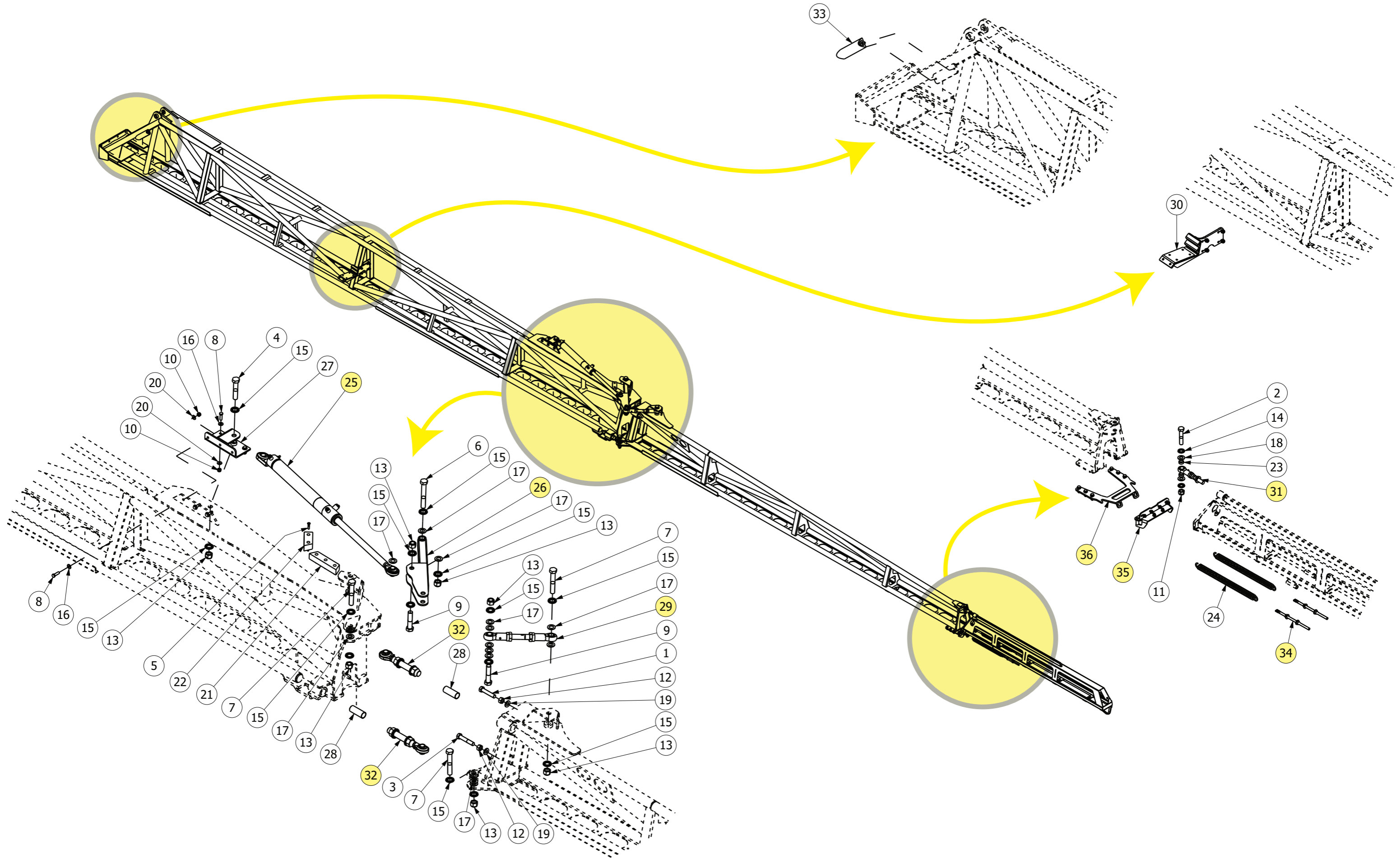
Nb	Reference	Qty	Description
1	000-500-0	2	Hex nut M12 Deltaprotekt
2	000-795-0	2	Flat washer Ø12 Deltaprotekt
3	002-086-0	1	Spring hook

40 010-303-0



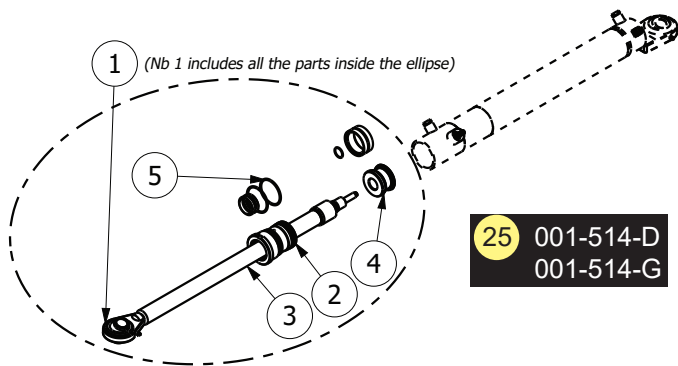
Nb	Reference	Qty	Description
1	000-178-0	4	HH screw M8x30 DIN933 Deltaprotekt
2	000-250-0	2	Button screw M8x25 DIN933 Deltaprotekt
3	000-538-0	6	Lock nut M8 stainless
4	000-797-0	4	Flat washer Ø8 Deltaprotekt
5	000-833-0	6	Contact washer Ø8
6	020-706-0	1	TR5/RA breakaway reinforced hinge angle

TR5 boom 250mm nozzle spacing nomenclature



TR5 boom 250mm nozzle spacing nomenclature

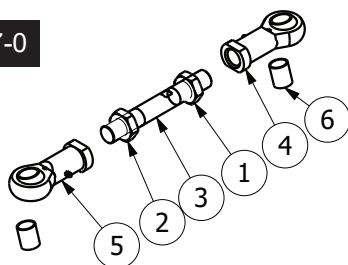
Nb	Reference	Qty	Description
1	000-015-0	1	HH screw M20x100 DIN933 Deltaprotekt
2	000-016-0	1	HH screw M20x100 DIN931 Deltaprotekt
3	000-017-0	1	HH screw M20x110 DIN931 Deltaprotekt
4	000-024-0	1	HH screw M1"x5" DIN931 Deltaprotekt
5	000-038-0	5	Socket flat head screw M8x25 DIN933 Deltaprotekt
6	000-193-0	1	HH screw M1"x7" DIN931 Deltaprotekt
7	000-232-0	3	HH screw M1"x6" DIN931 Deltaprotekt
8	000-257-0	5	HH screw M12x40 DIN933 Deltaprotekt
9	000-363-0	2	HH screw M1"x4 1/2" DIN931 Deltaprotekt
10	000-484-0	5	Lock nut M12 stainless
11	000-486-0	1	Lock nut M20 stainless
12	000-555-0	2	Hex nut M20 Deltaprotekt
13	000-641-0	7	Lock nut 1" stainless
14	000-700-0	2	Self-locking washer Ø20 large
15	000-702-0	14	Self-locking washer Ø1" large
16	000-795-0	5	Flat washer Ø12 Deltaprotekt
17	000-813-0	16	Flat washer Ø26 Deltaprotekt
18	000-819-0	2	Flat washer Ø20 Deltaprotekt
19	000-831-0	2	Contact washer Ø20
20	000-837-0	5	Contact washer Ø12
21	001-029-0	1	Hinge arm plastic support 178/220x50x40 drilled
22	001-031-G	1	Left hinge arm plastic support 115/135x50x40 drilled
23	001-231-0	2	Bushing Øext28/Øint20 thk 9.5 Deltatone
24	001-311-0	2	Steel traction spring wire Ø5.5 Øext 34 lg 503mm
25	001-514-D	1	Cylinder Ø63/36 S500 right painted
26	001-795-D	1	Right hinge arm with bushing
27	002-513-D	1	TR5/RA folding cylinder right fastening
28	002-614-0	2	Round tube Ø38 thk 2 lgth 98mm
29	010-007-0	1	Double ball joint with bushings Øint 26 and threaded rod lgth 220mm
30	010-013-D	1	TR5/RA right outer section support + hardware
31	010-017-0	1	Ball joint Ø20 with threaded rod M20 lgth 125mm
32	010-026-0	2	Ball joint Ø25 threaded rod M34 + screws
33	010-027-0	1	Triangular rubber lg 200mm + screws
34	010-090-0	2	Complete breakaway spring hook
35	010-303-0	1	TR5/RA breakaway reinforced hinge angle + screws
36	010-339-0	1	TR5 breakaway hinge plate for 250mm nozzle spacing + screws



25 001-514-D
001-514-G

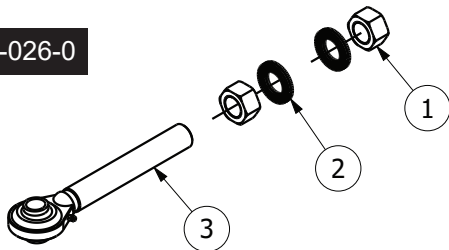
Nb	Reference	Qty	Description
1	002-169-0	1	Complete Ø63/36 S500 cylinder rod with head + seals
2	001-578-0	1	Cylinder head DA 63/36
3	001-588-0	1	Cylinder rod Ø63/36 S500 (001-514)
4	002-584-0	1	Piston DA 63/36
5	001-555-0	1	Cylinder seals kit DA 63/36

29 010-007-0



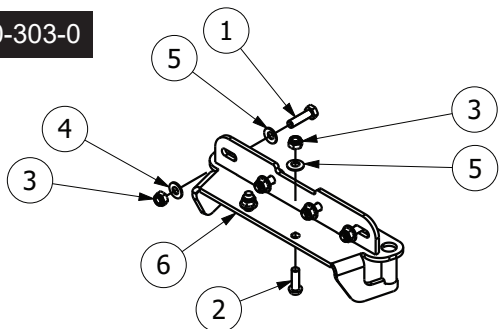
Nb	Reference	Qty	Description
1	000-514-0	1	Low hex nut M24 200 right pitch
2	000-515-0	1	Low hex nut M24 200 right pitch
3	001-007-0	1	Threaded rod RH/LH M30 pitch 200 lg 220
4	001-602-D	1	Female Ball joint Ø30 Right threaded
5	001-602-G	1	Female Ball joint Ø30 left threaded
6	001-933-0	2	Steel bushing Ø30 x Ø26 x30.6

32 010-026-0



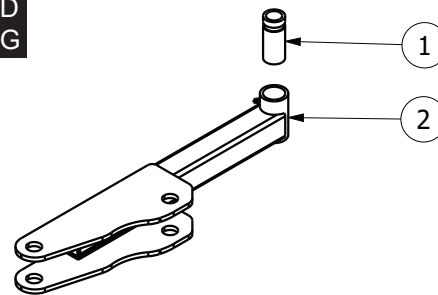
Nb	Reference	Qty	Description
1	000-596-0	2	Hex nut M34 pitch 200 Deltaprotekt
2	000-704-0	2	Self-locking washer Ø33 large
3	002-092-0	1	Ball joint Ø25 + threaded rod M34 lg 210mm

35 010-303-0



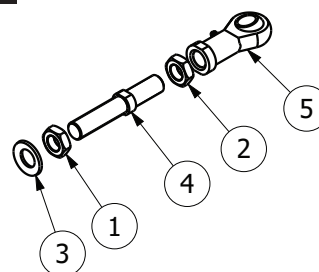
Nb	Reference	Qty	Description
1	000-178-0	4	HH screw M8x30 DIN933 Deltaprotekt
2	000-250-0	2	Button screw M8x25 DIN933 Deltaprotekt
3	000-538-0	6	Lock nut M8 stainless
4	000-797-0	4	Flat washer Ø8 Deltaprotekt
5	000-833-0	6	Contact washer Ø8
6	020-706-0	1	TR5/RA breakaway reinforced hinge angle

26 001-795-D
001-795-G



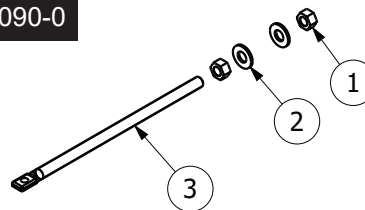
Nb	Reference	Qty	Description
1	001-799-0	1	Bushing Øext35 thk5mm lgth 82mm
2	002-773-D	1	Right hinge arm without bushing

31 010-017-0



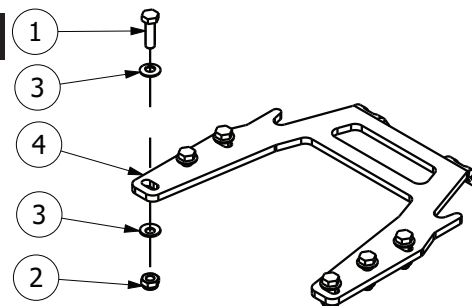
Nb	Reference	Qty	Description
1	000-510-0	1	Low hex nut M24 200 right pitch
2	000-512-0	1	Low hex nut M24 200 right pitch
3	000-831-0	1	Contact washer Ø20
4	001-004-0	1	Threaded rod LH M20x150 / RH M20x250 lg 125 Deltatone
5	001-601-G	1	Female ball joint Ø20mm left thread

34 010-090-0



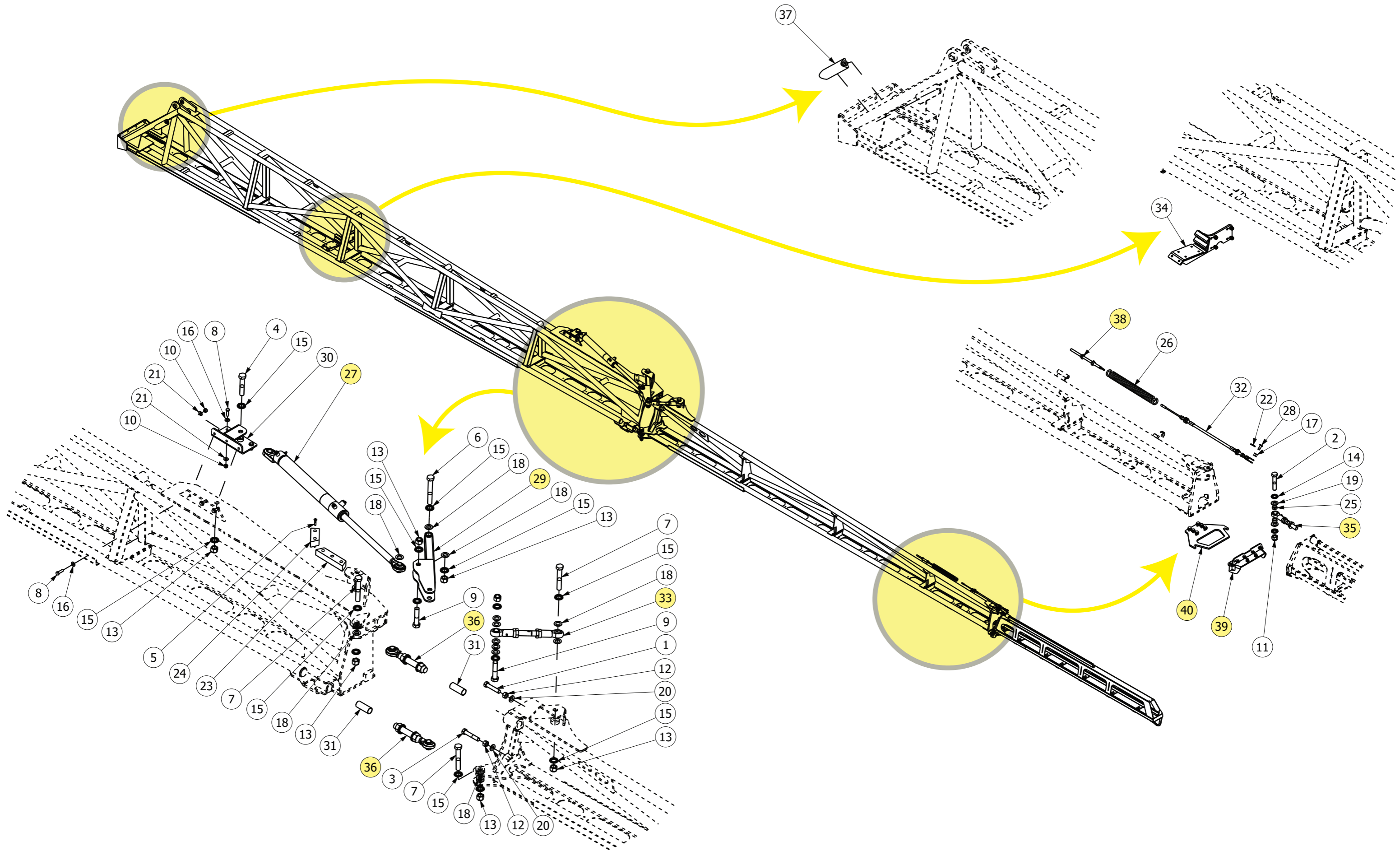
Nb	Reference	Qty	Description
1	000-500-0	2	Hex nut M12 Deltaprotekt
2	000-795-0	2	Flat washer Ø12 Deltaprotekt
3	002-086-0	1	Spring hook

36 010-339-0



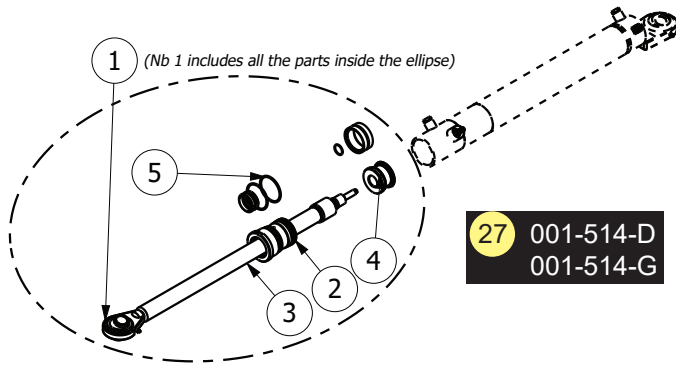
Nb	Reference	Qty	Description
1	000-197-0	6	HH screw M10x35 DIN933 Deltaprotekt
2	000-539-0	6	Lock nut M10 stainless
3	000-838-0	12	Contact washer Ø10
4	002-772-0	1	TR5 breakaway hinge plate for 250mm nozzle spacing

TR5 boom 15/20" nozzle spacing nomenclature



TR5 boom 15/20" nozzle spacing nomenclature

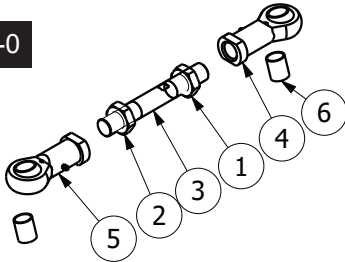
Nb	Reference	Qty	Description
1	000-015-0	1	HH screw M20x100 DIN933 Deltaprotekt
2	000-016-0	1	HH screw M20x100 DIN931 Deltaprotekt
3	000-017-0	1	HH screw M20x110 DIN931 Deltaprotekt
4	000-024-0	1	HH screw M1"x5" DIN931 Deltaprotekt
5	000-038-0	5	Socket flat head screw M8x25 DIN933 Deltaprotekt
6	000-193-0	1	HH screw M1"x7" DIN931 Deltaprotekt
7	000-232-0	3	HH screw M1"x6" DIN931 Deltaprotekt
8	000-257-0	5	HH screw M12x40 DIN933 Deltaprotekt
9	000-363-0	2	HH screw M1"x4 1/2" DIN931 Deltaprotekt
10	000-484-0	5	Lock nut M12 stainless
11	000-486-0	1	Lock nut M20 stainless
12	000-555-0	2	Hex nut M20 Deltaprotekt
13	000-641-0	7	Lock nut 1" stainless
14	000-700-0	2	Self-locking washer Ø20 large
15	000-702-0	14	Self-locking washer Ø1" large
16	000-795-0	5	Flat washer Ø12 Deltaprotekt
17	000-796-0	2	Flat washer Ø10 Deltaprotekt
18	000-813-0	16	Flat washer Ø26 Deltaprotekt
19	000-819-0	2	Flat washer Ø20 Deltaprotekt
20	000-831-0	2	Contact washer Ø20
21	000-837-0	5	Contact washer Ø12
22	000-865-0	1	Cotter pin Ø3.2x40 stainless
23	001-029-0	1	Hinge arm plastic support 178/220x50x40 drilled
24	001-031-G	1	Left hinge arm plastic support 115/135x50x40 drilled
25	001-231-0	2	Bushing Øext28/Øint20 thk 9.5 Deltatone
26	001-284-0	1	Steel traction spring wire Ø7 Øext42 lg 350mm
27	001-514-D	1	Cylinder Ø63/36 S500 right painted
28	001-732-0	1	Ø10mm stainless shaft for breakaway cable
29	001-795-D	1	Right hinge arm with bushing
30	002-513-D	1	TR5/RA folding cylinder right fastening
31	002-614-0	2	Round tube Ø38 thk 2 lgth 98mm
32	003-187-0	1	Cable + reinforced sheath for breakaway
33	010-007-0	1	Double ball joint with bushings Øint 26 and threaded rod lgth 220mm
34	010-013-D	1	TR5/RA right outer section support + hardware
35	010-017-0	1	Ball joint Ø20 with threaded rod M20 lgth 125mm
36	010-026-0	2	Ball joint Ø25 threaded rod M34 + screws
37	010-027-0	1	Triangular rubber lg 200mm + screws
38	010-090-0	1	Complete breakaway spring hook
39	010-303-0	1	TR5/RA breakaway reinforced hinge angle + screws
40	010-355-0	1	TR5 breakaway hinge plate 15/20" + screws



27 001-514-D
001-514-G

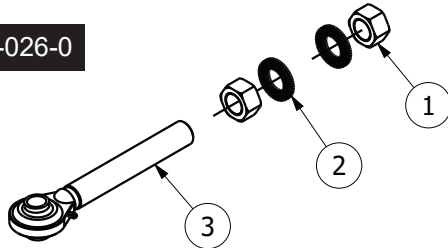
Nb	Reference	Qty	Description
1	002-169-0	1	Complete Ø63/36 S500 cylinder rod with head + seals
2	001-578-0	1	Cylinder head DA 63/36
3	001-588-0	1	Cylinder rod Ø63/36 S500 (001-514)
4	002-584-0	1	Piston DA 63/36
5	001-555-0	1	Cylinder seals kit DA 63/36

33 010-007-0



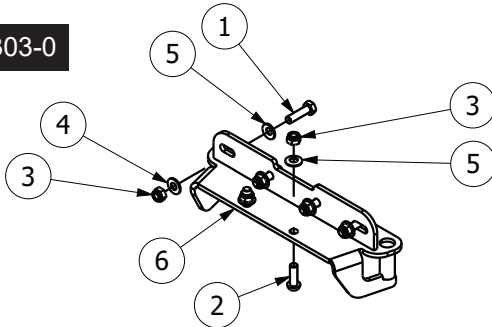
Nb	Reference	Qty	Description
1	000-514-0	1	Low hex nut M24 200 right pitch
2	000-515-0	1	Low hex nut M24 200 right pitch
3	001-007-0	1	Threaded rod RH/LH M30 pitch 200 lg 220
4	001-602-D	1	Female Ball joint Ø30 Right threaded
5	001-602-G	1	Female Ball joint Ø30 left threaded
6	001-933-0	2	Steel bushing Ø30 x Ø26 x30,6

36 010-026-0



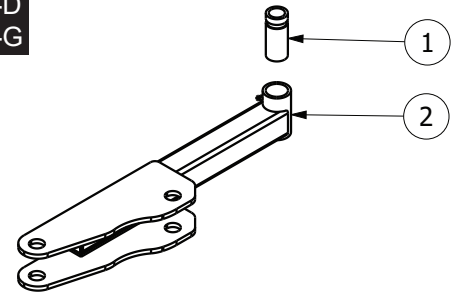
Nb	Reference	Qty	Description
1	000-596-0	2	Hex nut M34 pitch 200 Deltaprotekt
2	000-704-0	2	Self-locking washer Ø33 large
3	002-092-0	1	Ball joint Ø25 + threaded rod M34 lg 210mm

39 010-303-0



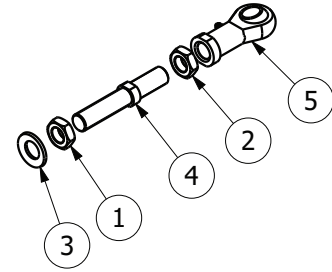
Nb	Reference	Qty	Description
1	000-178-0	4	HH screw M8x30 DIN933 Deltaprotekt
2	000-250-0	2	Button screw M8x25 DIN933 Deltaprotekt
3	000-538-0	6	Lock nut M8 stainless
4	000-797-0	4	Flat washer Ø8 Deltaprotekt
5	000-833-0	6	Contact washer Ø8
6	020-706-0	1	TR5/RA breakaway reinforced hinge angle

29 001-795-D
001-795-G



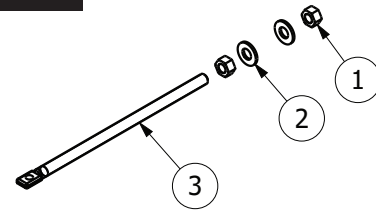
Nb	Reference	Qty	Description
1	001-799-0	1	Bushing Øext35 thk5mm lgth 82mm
2	002-773-D	1	Right hinge arm without bushing

35 010-017-0



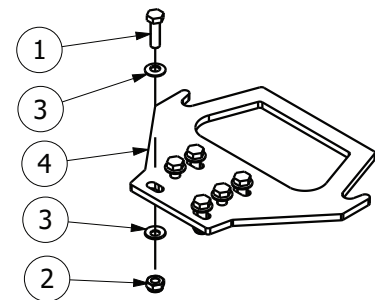
Nb	Reference	Qty	Description
1	000-510-0	1	Low hex nut M24 200 right pitch
2	000-512-0	1	Low hex nut M24 200 right pitch
3	000-831-0	1	Contact washer Ø20
4	001-004-0	1	Threaded rod LH M20x150 / RH M20x250 lg 125 Deltatone
5	001-601-G	1	Female ball joint Ø20mm left thread

38 010-090-0



Nb	Reference	Qty	Description
1	000-500-0	2	Hex nut M12 Deltaprotekt
2	000-795-0	2	Flat washer Ø12 Deltaprotekt
3	002-086-0	1	Spring hook

40 010-355-0



Nb	Reference	Qty	Description
1	000-197-0	6	HH screw M10x35 DIN933 Deltaprotekt
2	000-539-0	6	Lock nut M10 stainless
3	000-838-0	12	Contact washer Ø10
4	002-776-0	1	TR5 breakaway hinge plate for 15/20" nozzle spacing

All our booms are designed and built using over 30 years knowledge and experience.

Pommier's expertise and the quality of our products have made us a world-renowned designer and manufacturer of spray booms.

Since the first boom left our factory in 1986, we have delivered over 30,000 more to our customers.

Our expert designers and engineers work closely with our customers, and we tailor our booms to their machines in accordance with their requests and requirements.

Pommier also work with a large number of sprayers manufacturers in France and worldwide.



28 Rue de la Conie
Viabon
28150 Eole en Beauce
France

Ph: +33 (0)2 37 99 96 80
Fax: +33 (0)2 37 99 10 81



www.pommier-scebp.com